

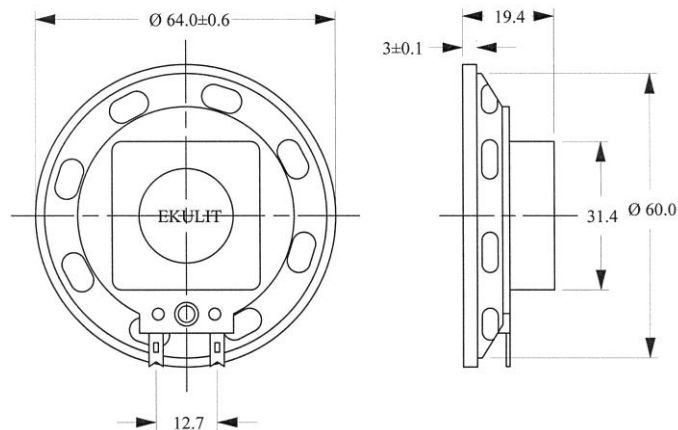
Lautsprecher LSM-65K/F Art.-Nr.: 108030

Specification :

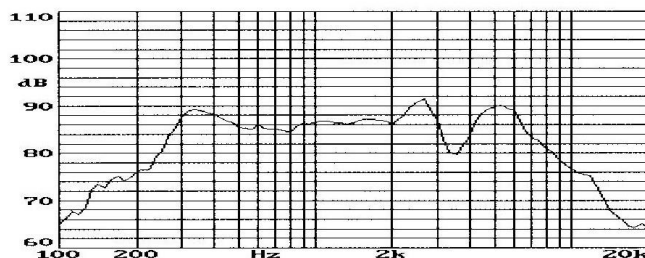
TYPE	UNIT	LSM-65K/F
Impedance	Ω	50 \pm 15%
Power (Nominal)	W	1.0
Power (Maximum)	W	2.0
Resonant Frequency	Hz	360 \pm 20%
Sound Pressure Level	dB	86 \pm 3
Frequency Range	Hz	Fo~3.400
Operating Temperature	$^{\circ}$ C	-20~+60
Storage Temperature	$^{\circ}$ C	-30~+70

Dimensions :

(Unit : mm)



Frequency Response :



Version 1 / 10/2021